

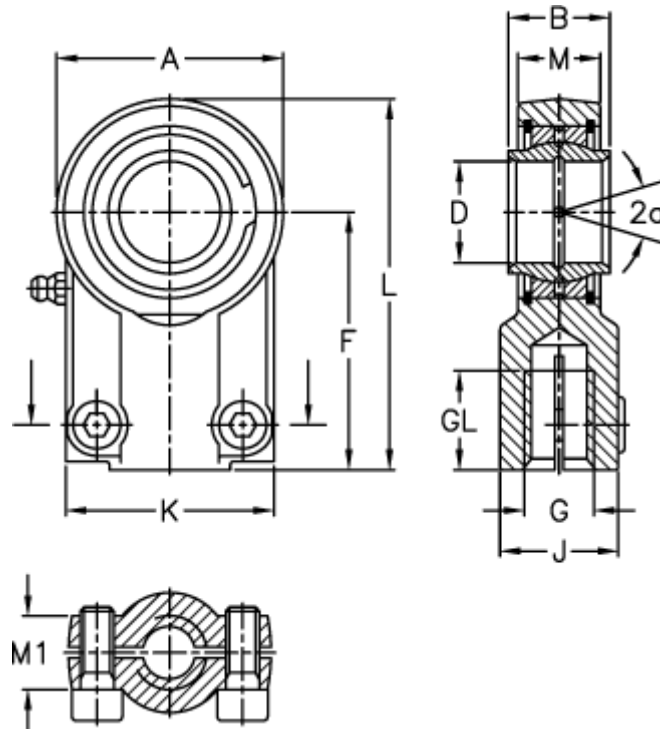
Data Sheet



Article number: 03551160

Description: Fluro hydraulic rod end FPR 160CE

Measures



| | | | |
|---------------------|----------|---------------------|---------|
| A | = 326 | J | = 165 |
| a (degrees) | = 4 | K | = 250 |
| B | = 160 | L | = 488 |
| D | = 160 | M | = 130 |
| Dynamic load C (kN) | = 1370 | M1 | = 82 |
| F | = 310 | Static load C0 (kN) | = 2200 |
| g | = M125x4 | Torque (N m) | = 710 |
| GL | = 126 | Weight | = 81000 |